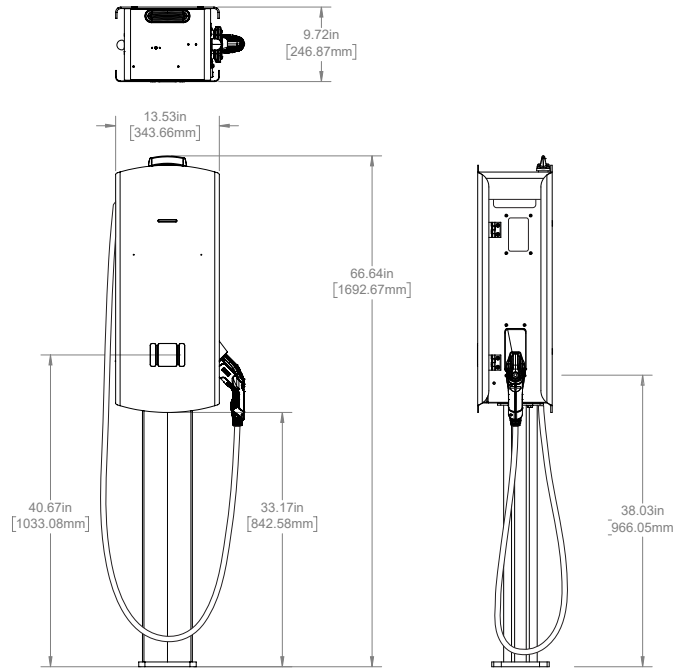
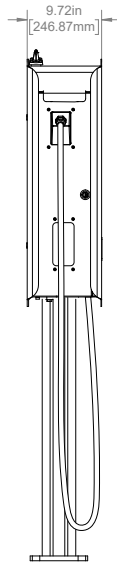




FIREFLY: 80A LEVEL 2 TECHNICAL SPECIFICATIONS



MODEL #	DESCRIPTION
FLY-800	Single Connector Charger

CERTIFICATIONS
TUV Rheinland UL 2231-1, UL 2231-2, UL 2594

AC INPUT
Voltage: 208/240 VAC
Breaker: Rating 1000A
Single Connector: 3 Wire (L1,L2 & G)

AC OUTPUT PER CONNECTOR
19.2 kW at 240VAC
16.6 kW at 208VAC

CHARGE TIME FOR AVERAGE EV WITH 80 kWh CAPACITY GOING FROM 20-80%
2.5 Hours

OPERATING TEMPERATURE
- 20° C to +50° C
- 4° F to +122° F

COMMUNICATIONS
Cellular
Ethernet

DIMENSIONS
66.64" Total Height with Pedestal
33.47" Total Height w/out Pedestal
16" Width Without Connectors
9.72" Depth

CORD LENGTH
9 feet

PROTOCOL
OCPP 1.6J

CONNECTORS
SAE J1772 Type 1

ENCLOSURE
Type 3R Aluminum

OPTIONS
Wall Bracket
Pedestal Mount
Branded Door Graphics

USER INTERFACE
LED Indicators
RFID Card Reader